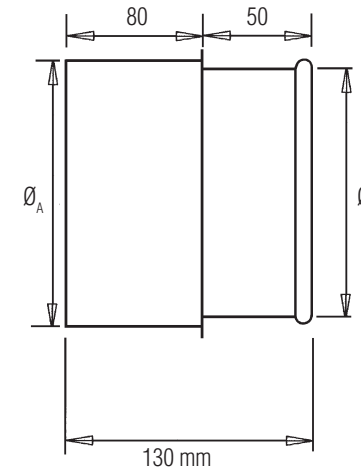


Machine Adapter

Ø mm	O/D mm	I/D mm	Rolled Edge (nom. mm.)	Length (nom. mm)	Weight kg	Galvanised Steel
080	79	78	6	130	0,25	0,7
100	98	97	6		0,30	
125	124	123	6		0,38	
140	139	138	6		0,43	
150	148	147	6		0,45	
160	159	158	6		0,48	
180	179	178	8		0,58	
200	200	199	8		0,63	
224	250	249	8		0,70	
250	298	297	10		0,80	
300	313	312	10		0,98	



Temperature Rating of Product Components		
° C	Machine Adapter	Sealants
200°	Galvanised Steel	Joka Seal Metal Sealant 2315
121°		
-20°		

Additional Notes
At temperatures ranging between 200° C and 250° C, the zinc-iron alloy layers in galvanised steel will continue to provide a high level of protection from corrosion. However, there may be some peeling, changes in mechanical properties, and reduction in the corrosion protection. Recommended max. service temperature is 200° C.

Compliance / Rating of Product Components		
Product	Material	Compliance / Rating
Machine Adapter	Galvanised	DX51D with Z275 Coating
Joka Seal Metal Sealant 2315	Acetone blend	AAMA Specification 801.1