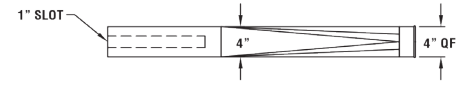
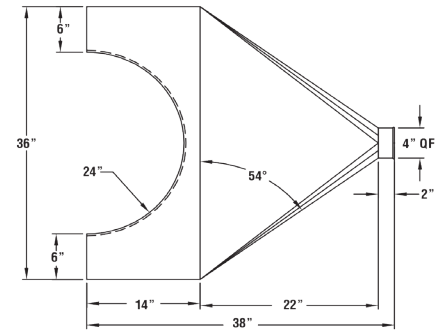
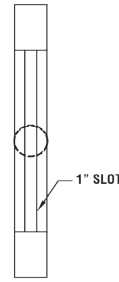
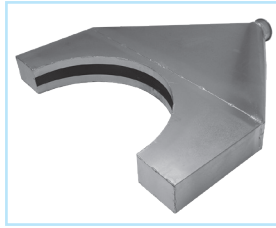


Barrel Hood

Ordering Information

- When ordering, specify material, size, and end style.
- Designed to fit 55 gallon drums.



Construction:
Seams: lapped, spot welded, and caulked.

Optional End Styles
 Standard QF end can be changed to Raw ID (RI), Raw OD (RO), No Fitting (NF), Flat Flange (FFL), Angle Flange (AFL), or Van Stone (VS).

Ø in.	Std Weight Lbs
4	14.5
6	14.5
8	14.5

QF Material Options

Galv				SS			
Gauges	Size (in)		Gauges	Size (in)			
	Min. Ø	Max. Ø		Min. Ø	Max. Ø		
Std	18	4	8	Std	18	8	8

Flanged Material Options

Galv				SS			
Gauges	Size (in)		Gauges	Size (in)			
	Min. Ø	Max. Ø		Min. Ø	Max. Ø		
Std	18	4	8	Std	18	8	8