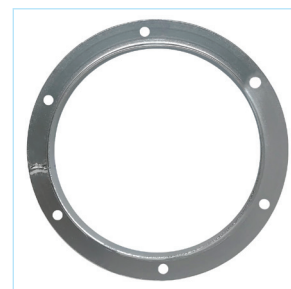


Angle Flange

Ordering Information

- When ordering, specify material and dimension.

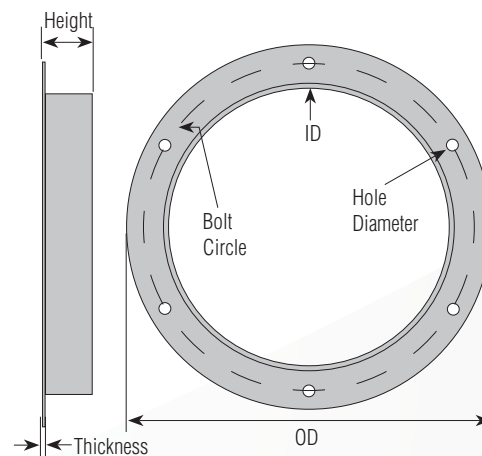
- Flat Flanges also available with custom drill patterns. ANSI Flange patterns are charged double the standard. Call for pricing on other options.



Ø in.	ID in.	OD in.	H in.	T in.	Qty holes	Hole Ø in.	Bolt Circle in.	Weight Lbs
3	3.06	5.06	1	.125	6	9/32	4.31	.70
4	4.06	6.06	1	.125	6	9/32	5.31	.85
5	5.06	7.06	1	.125	6	9/32	6.31	1.18
6	6.09	8.59	1.25	.125	6	9/32	7.31	1.38
7	7.13	9.63	1.25	.125	6	3/8	8.50	1.73
8	8.13	10.63	1.25	.125	6	3/8	9.56	1.90
9	9.13	11.63	1.25	.125	6	7/16	10.63	2.55
10	10.13	12.63	1.25	.125	6	7/16	11.81	3.05
11	11.13	13.63	1.25	.125	6	7/16	12.75	3.25
12	12.13	15.13	1.5	.125	8	7/16	14.00	3.88
13	13.13	16.13	1.5	.125	8	7/16	15.00	4.25
14	14.13	17.13	1.5	.125	8	7/16	16.00	4.75
15	15.13	18.13	1.5	.125	8	7/16	17.00	7.25
16	16.13	19.13	1.5	.1875	8	7/16	18.00	8.00
17	17.13	20.13	1.5	.1875	8	7/16	19.00	8.25
18	18.13	21.13	1.5	.1875	8	7/16	20.00	8.50
19	19.13	22.13	1.5	.1875	12	7/16	20.75	8.75
20	20.13	23.13	1.5	.1875	12	7/16	21.75	9.50
21	21.13	24.13	1.5	.1875	12	7/16	22.75	10.25
22	22.13	25.13	1.5	.1875	12	7/16	23.75	10.75
23	23.13	26.13	1.5	.1875	12	7/16	24.88	11.25
24	24.13	27.13	1.5	.1875	12	7/16	25.88	11.50
25	25.13	28.13	1.5	.1875	16	7/16	26.88	12.00
26	26.13	30.13	2	.1875	16	7/16	28.38	16.75
27	27.13	31.13	2	.1875	16	7/16	29.38	17.38
28	28.13	32.13	2	.1875	16	7/16	30.38	18.00
29	29.13	33.13	2	.1875	16	7/16	31.38	18.75
30	30.13	34.13	2	.1875	16	7/16	32.38	19.50
31	31.13	35.13	2	.1875	16	7/16	33.38	20.38
32	32.13	36.13	2	.1875	16	7/16	34.38	20.75
33	33.13	37.13	2	.1875	16	7/16	35.38	21.25
34	34.13	38.13	2	.1875	16	7/16	36.38	22.00
35	35.13	39.13	2	.1875	16	7/16	37.38	22.50
36	36.13	40.13	2	.1875	16	7/16	38.38	23.00
37	37.13	41.13	2	.1875	24	7/16	39.38	23.75
38	38.13	42.13	2	.1875	24	7/16	40.38	24.50
39	39.13	43.13	2	.1875	24	7/16	41.38	25.00
40	40.13	44.13	2	.1875	24	7/16	42.38	25.75
42	42.13	46.13	2	.1875	24	7/16	44.38	26.50
44	44.13	48.13	2	.1875	24	7/16	46.38	28.00
46	46.13	50.13	2	.1875	24	7/16	48.38	29.00
48	48.13	52.13	2	.1875	24	7/16	50.38	30.75
50	50.13	54.13	2	.1875	24	7/16	52.38	32.00
52	52.13	56.13	2	.1875	24	7/16	54.38	33.40
54	54.13	58.13	2	.1875	24	7/16	56.38	34.80
56	56.13	60.13	2	.1875	24	7/16	58.38	36.00
58	58.14	62.14	2	.1875	32	7/16	60.38	37.00
60	60.13	64.13	2	.1875	32	7/16	62.38	38.50
62	62.13	66.13	2	.1875	32	7/16	64.38	39.80
64	64.13	68.13	2	.1875	32	7/16	66.38	41.00
66	66.13	70.13	2	.1875	36	7/16	68.38	42.40
68	68.13	72.13	2	.1875	36	7/16	70.38	43.50
70	70.13	74.13	2	.1875	36	7/16	72.38	44.90
72	72.13	76.13	2	.1875	36	7/16	74.38	46.30

Material Options

Galv		SS	
Size (in)		Size (in)	
Min. Ø	Max. Ø	Min. Ø	Max. Ø
3	72	3	40



Notes:

- Angle flanges are only available with the shown hole patterns.
- For different hole patterns or no holes, Nordfab can use laser technology to burn flat flanges to match your needs.

Hardware:

Hardware is not supplied with flanges and must be supplied by customer:

- 7/16" holes – use 3/8-16 x 1-1/2" lockwasher, and hex nut - Grade 5 or better
- 3/8" holes – use 5/16-18 x 1-1/2" lockwasher, and hex nut - Grade 5 or better
- 9/32" holes – use 1/4-20 x 1-1/2" lockwasher, and hex nut - Grade 5 or better